



Energy Star Certified on certain models



MF11256 ON B55

Features

- Only 21" (533 mm) wide.
- Produces up to 1,149 lbs (521 kg) of ice per day.
- SystemSafe load monitoring system constantly checks workload on gearbox – shutting down system before a problem develops and preventing costly repairs.
- Water sensor eliminates low or no water failures and cannot be affected by adverse water conditions.
- Rugged stainless steel evaporator and auger ensures reliability.
- Industrial-grade roller bearings and heavy-duty gearbox provide years of trouble-free service.

Options & Accessories

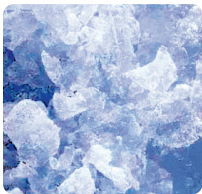
WATER FILTERS		
Ice Machine Model	Manifold	
	System	Replacement
MF11256	IFQ1-XL	IOMQXL (1)
MF11255		

Ice Maker Warranty

Every Ice-O-Matic ice maker is backed by a warranty that provides both parts and labor coverage.

- Three years **Parts** and **Labor**.
- Five years **Parts** coverage on the compressor.

Ice Form



FLAKED ICE

Bin Chart *Kits for Combining Wider Bins with Smaller Models*

ICE STORAGE BINS											
Kits	Model No.	B25	B40	B42	B55	B700	B110	B1000	B1300	B1325	B1600
	Capacity Width	242 lbs (110 kg) 30 in (762 mm)	344 lbs (156 kg) 30 in (762 mm)	351 lbs (160 kg) 22 in (559 mm)	510 lbs (232 kg) 30 in (762 mm)	680 lbs (308 kg) 30 in (762 mm)	854 lbs (388 kg) 48 in (1,219 mm)	1000 lbs (454 kg) 48 in (1,219 mm)	1320 lbs (599 kg) 48 in (1,219 mm)	1325 lbs (601 kg) 60 in (1,524 mm)	1660 lbs (753 kg) 60 in (1,524 mm)
MF11256/ MF11255		KBT19		KBT24	KBT19	Kit Not Required	KBT23	Kit Not Required			
MF11256/ MF11255 (2)		N/A					KBT222	Kit Not Required			

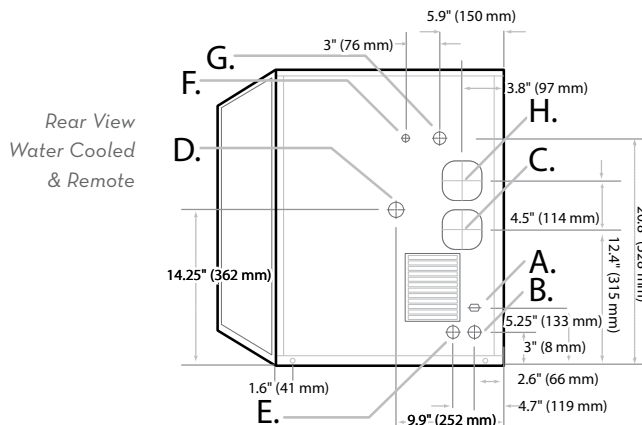
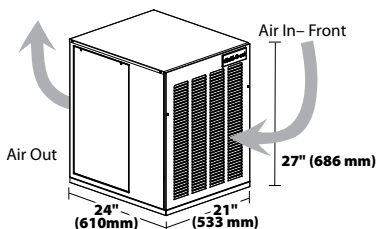
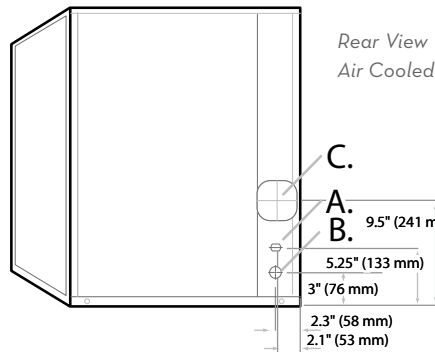
*See Ice-O-Matic Price List for Adapter Kits to combine ice makers with most available ice/beverage dispensers



Air Cooled

Please note: air-cooled units require 6" (152 mm) clearance for air intake and exhaust.

- A. Ice maker potable water in, 3/8" FPT.
- B. Drain, 3/4" FPT.
- C. Hole for electrical connection.
- D. Condenser inlet (water cooled only) 3/8" FPT.
- E. Condenser drain (water cooled only) 1/2" FPT.
- F. Liquid line, 3/8" male coupling for precharged line set (remote only).
- G. Discharge line, 1/2" male coupling for precharged line set (remote only).
- H. Remote condenser junction box (remote only).



Operating Requirements

	MINIMUM	MAXIMUM	
		60 Hz	50Hz
Ambient Temp. Range Air	50 °F (10 °C)	100 °F (38 °C)	110 °F (43 °C)
Water Temp.	40 °F (4.4 °C)		90 °F (32 °C)
Water Pressure	20 PSIG (1.4 BAR)	120 PSIG (8.3 BAR)	

Dimensions

ALL MODELS	
W x D x H (in.)	21 x 24 x 27
W x D x H (mm)	533 x 610 x 686

Specifications

Model Number	Cond. Unit	Ice Production per 24 hrs		Water Usage gallons per 100 lbs of Ice 90°F air/70°F water		kWh Used per 100 lbs of ice @ 90°F air/70°F water	Voltage Characteristics	Min. Circuit Ampacity	Max Breaker Size	Approx. BTUs** per hour
		70°F air/50°F water lbs (kg)	90°F air/70°F water lbs (kg)	Potable	Condenser					
MF11256A	Air	1,149 (521)	885 (401)	12.0	N/A	3.2	208-230/60/1	12.4	20	8,330
MF11256W	Water	1,137 (516)	959 (435)		72	2.4				
MF11256R	Remote*	1,014 (471)	950 (431)		N/A	3.5		12.8	20	
MF11255A	Air	1,260 (572)	900 (408)		N/A	3.25	220-240/50/1	10.7	16	8,053
MF11255W	Water	1,230 (558)	1,000 (454)		75	2.60		10.2	16	
MF11255A-49	Air	1,010 (458)	775 (352)		N/A	3.80		10.7	16	

*Requires RGA-1061-HM Remote Condenser with optional grill guard kit.

**BTUH is calculated to 0°F Evaporator, 110°F Condensing, and 33 PSIG. Value is estimated.

NOTES:

Number of Wires: 3 (including ground)
 Approx. Shipping Weight lbs (kg): MF11255A 215 (98) • MF11255W 230 (104) • MF11256A 215 (98) • MF11256W 210 (95) • MF11256R 230 (104)
 Refrigerant Type: MF11255A = R404A • MF11255A-49 = R449A

MF11256/1255 FLAKE ICE MAKER